



Dashboard Installation Guide

Required Tools



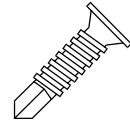
Drill



Zip ties (included in Accessory Bag Z)



Phillips Screwdriver



Self-drilling screws (included in Accessory Bag Z)



Stud Finder



Level

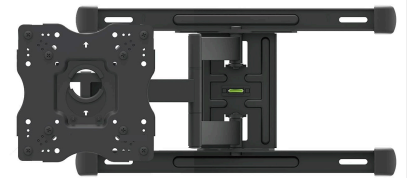
List of Parts



Mini PC



ViewSonic Touch Screen Monitor



Monitor Wall Mount



iPad Holder



USB Speaker



ANKER Wall Charger

Choosing a Location

The placement of the touch screen monitor plays a critical role in maximizing its usability, accessibility, and overall effectiveness. A thoughtfully chosen location ensures a seamless interaction experience, encourages frequent use, and supports accessibility for a diverse range of users.

Step 1: Choose a Central and Convenient Location

- **Choose a central location:** Place the monitor in a spot that is easily accessible to all employees and managers, ideally in the kitchen where it can be seen and used frequently.
- **Avoid backroom locations:** Do not install the monitor in cluttered, hidden, or hard-to-reach areas such as backrooms, break rooms, or managers' offices.
- **Ensure visibility:** Make sure the monitor is visible from various points in the kitchen to facilitate quick glances and interactions.

Step 2: Evaluate Lighting Conditions

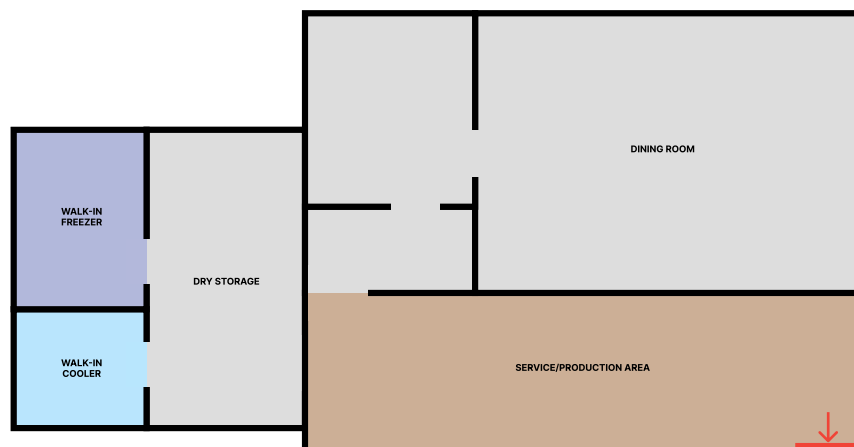
- Avoid direct sunlight or harsh lighting that may cause glare.
- Place the monitor where reflections from lights or windows won't interfere with usability.

Step 3: Check Power and Data Connections

- Ensure the wall is close to power outlets and data connections (Wi-Fi).
- Plan for cable management to keep wires tidy and secure.

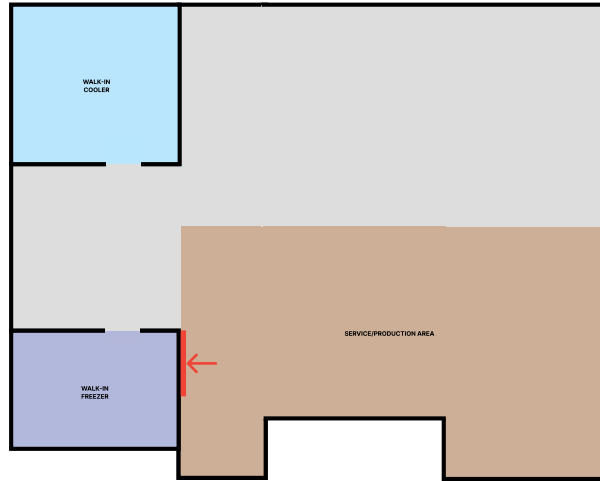
Suggested locations for common kitchen layouts

Global Next Gen Kitchen



Choosing a Location

Smart Kitchen



Modern Kitchen

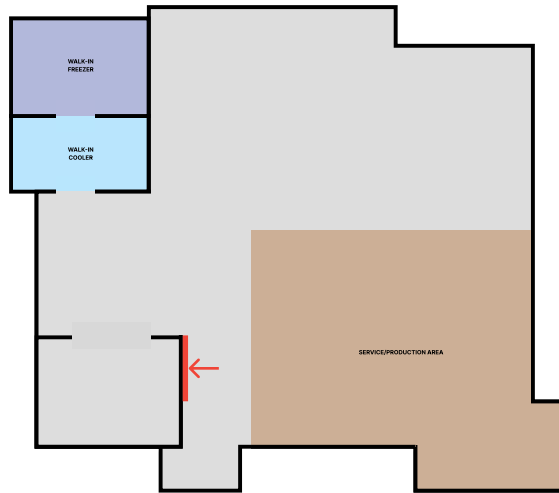
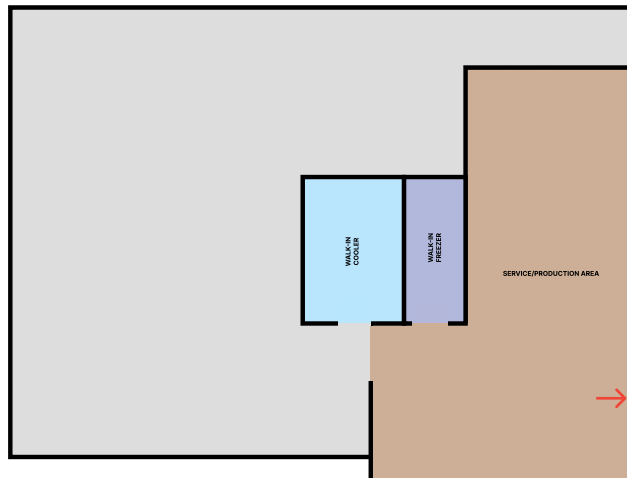


Image Kitchen



Choosing a Location

Here are some installation examples:

Global Next Gen Kitchen



Smart Kitchen



Modern Kitchen

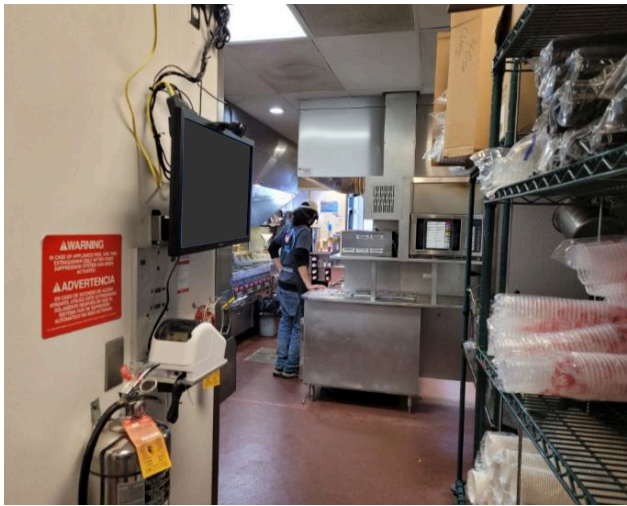


Image Kitchen

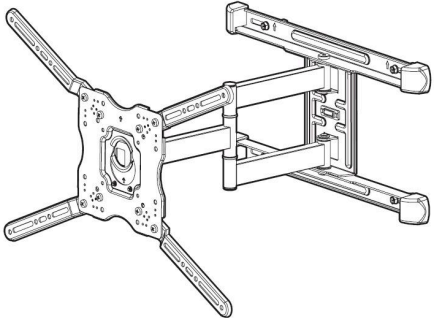


Wall Mount Installation


Refer to the installation manual included with the mount.

- **For Stud Installation:** Refer to pages 14 to 19 and then skip to page 35
- **For Brick/Concrete Installation:** Refer to pages 20 to 25 and then skip to page 35

amazon basics



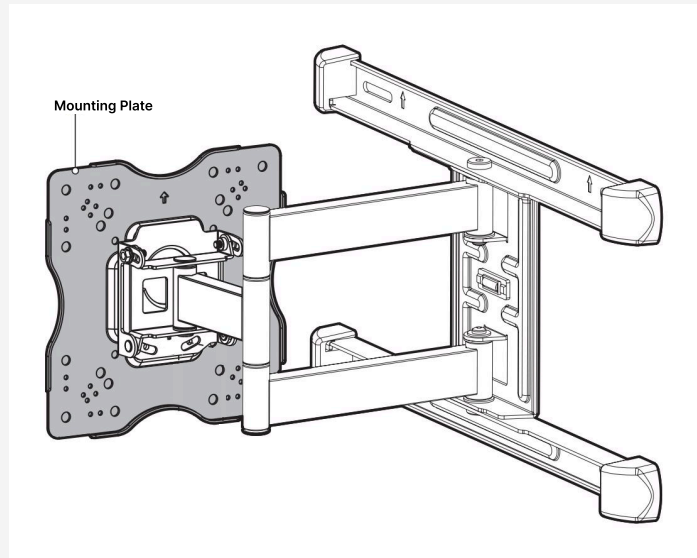
Full Motion Articulating TV Wall Mount Page 4
Support Mural Articulé Toutes Directions pour TV Page 5
Vollbewegliche Schwenkbare TV-Wandhalterung Seite 6
Supporto a Parete Articolato per TV Full Motion Pagina 7
Soporte de Montaje en la Pared para TV Articulada con Movimiento Total Página 8
TV-Muurbeugel met Volledige beweging en Scharnierend... Pagina 10
フルモーション関節式TV壁付マウント ページ 11
B09JWR8PG2 13



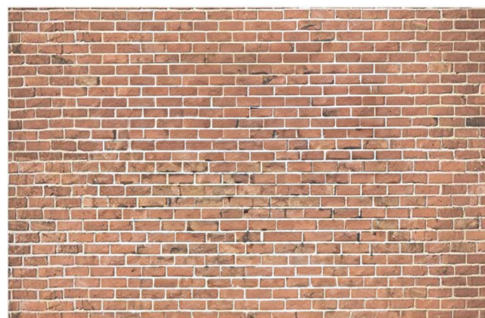
Scan the QR Code and scroll through the images to find an assembly or how-to video.
Scannez le code QR et faites défiler les images pour trouver une vidéo de montage ou un guide pratique.
Scannen Sie den QR-Code und blättern Sie durch die Bilder, um ein Montage- oder Anleitungsvideo zu finden.
Scansionare il codice QR e scorre le immagini per trovare un esempio di montaggio o un video dimostrativo.

Escaneie el código QR y desplácese por las imágenes para encontrar un video tutorial o montaje.
Scan de QR-code en beeldje de afbeeldingen om een gepaste montage- of how-to video te vinden.
QR コードをスキャンし、イメージをスクロールしてアセンブリまたはハウツービデオを見ます。

The mounting plate will be pre-installed on the back of the ViewSonic Touch Screen Monitor.



Compatible Wall Types



Brick Wall



Concrete Wall

Important:

- **DO NOT** use with 18 or 24 inch studs.
- **DO NOT** install on drywall only.

Anker Outlet Extender Installation

Important:

Failure to use the included outlet extender with this system may void the warranty on all connected devices. The outlet extender is designed to ensure proper power distribution and compatibility, and its use is required to maintain warranty coverage for all components in the system.



Mounting the Outlet Extender

1. Remove the existing screw from the outlet plate.
2. Plug in the Anker Outlet Extender
3. Secure the Anker Outlet Extender to the power outlet using the provided screw

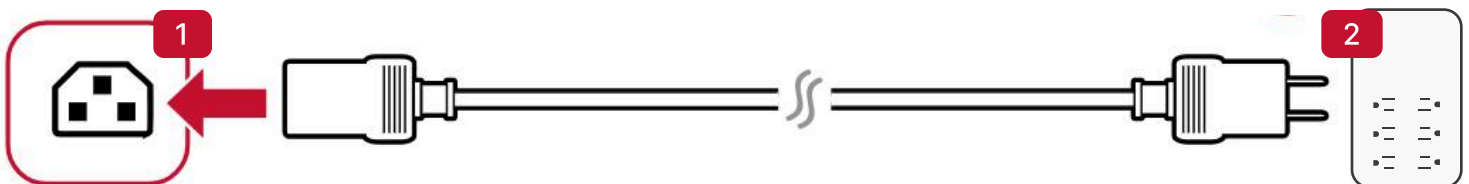
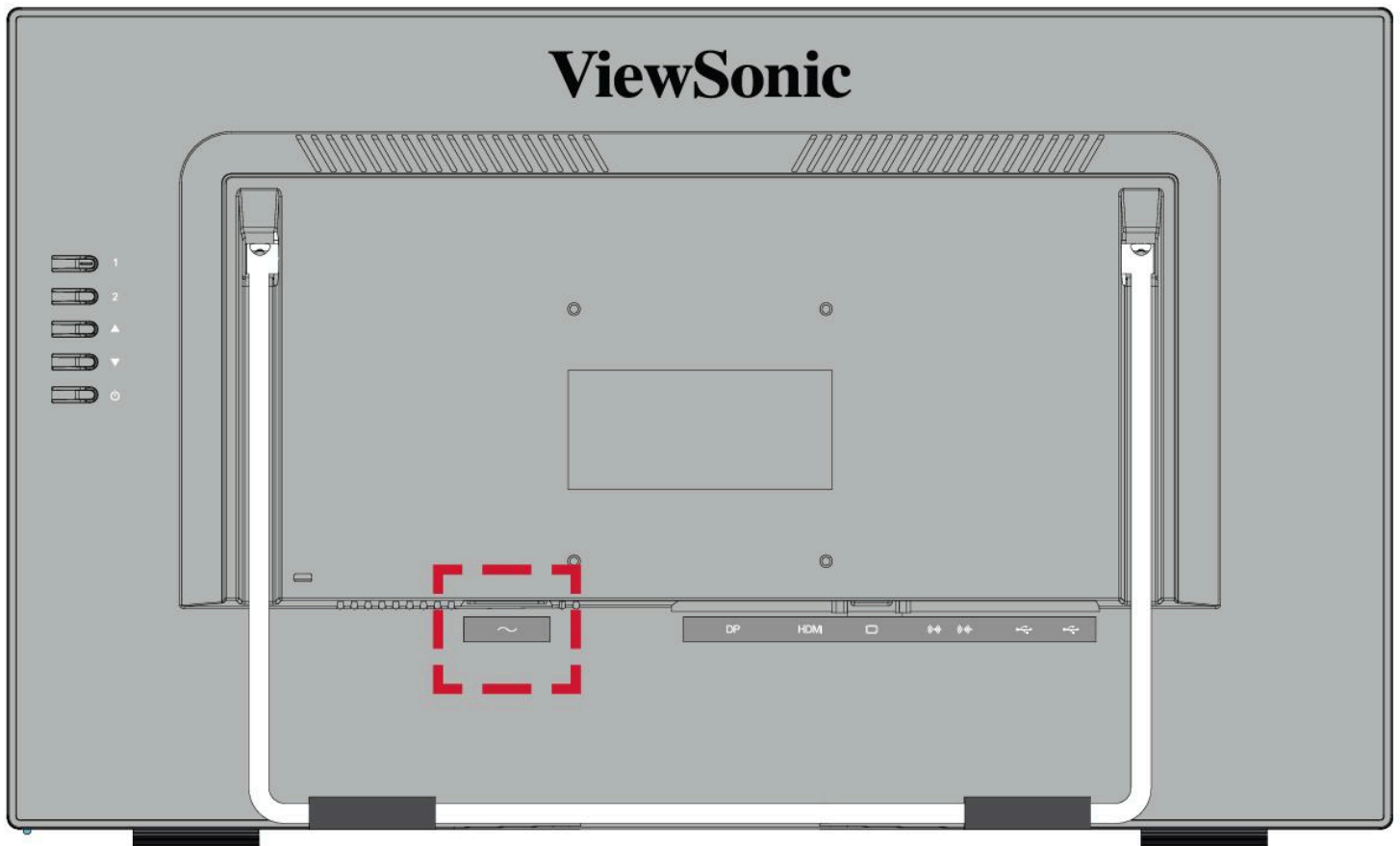


ViewSonic Monitor Installation

After completion of the Wall Mount installation in page 2, the touch screen monitor should now be mounted on the wall (page 35 of the wall mount installation guide). The next steps involve the connection of all the required cables to the Touch Screen Monitor.

Connecting to Power (Bottom section of the monitor)

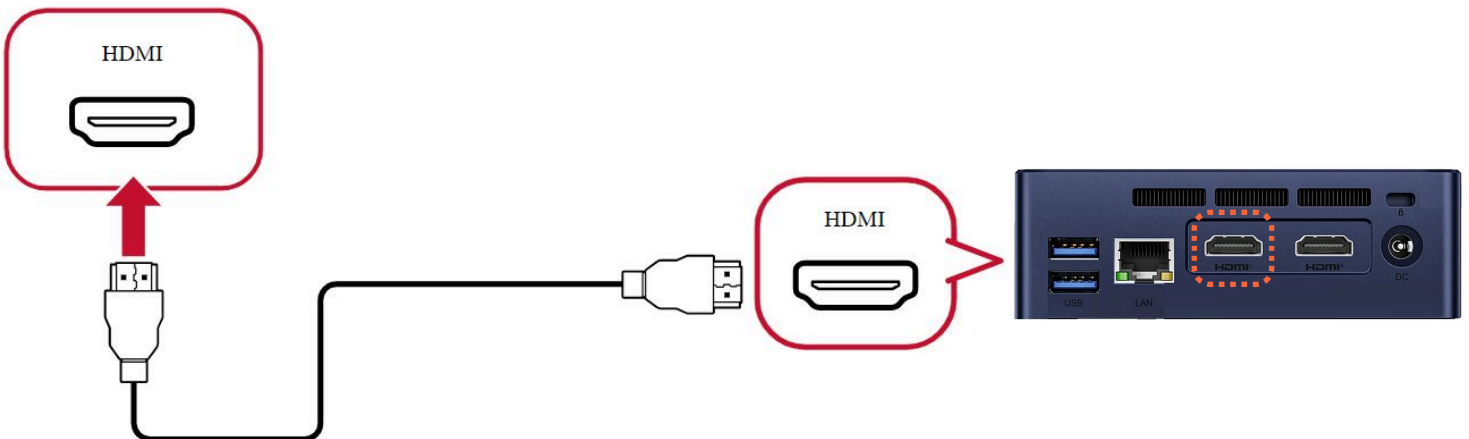
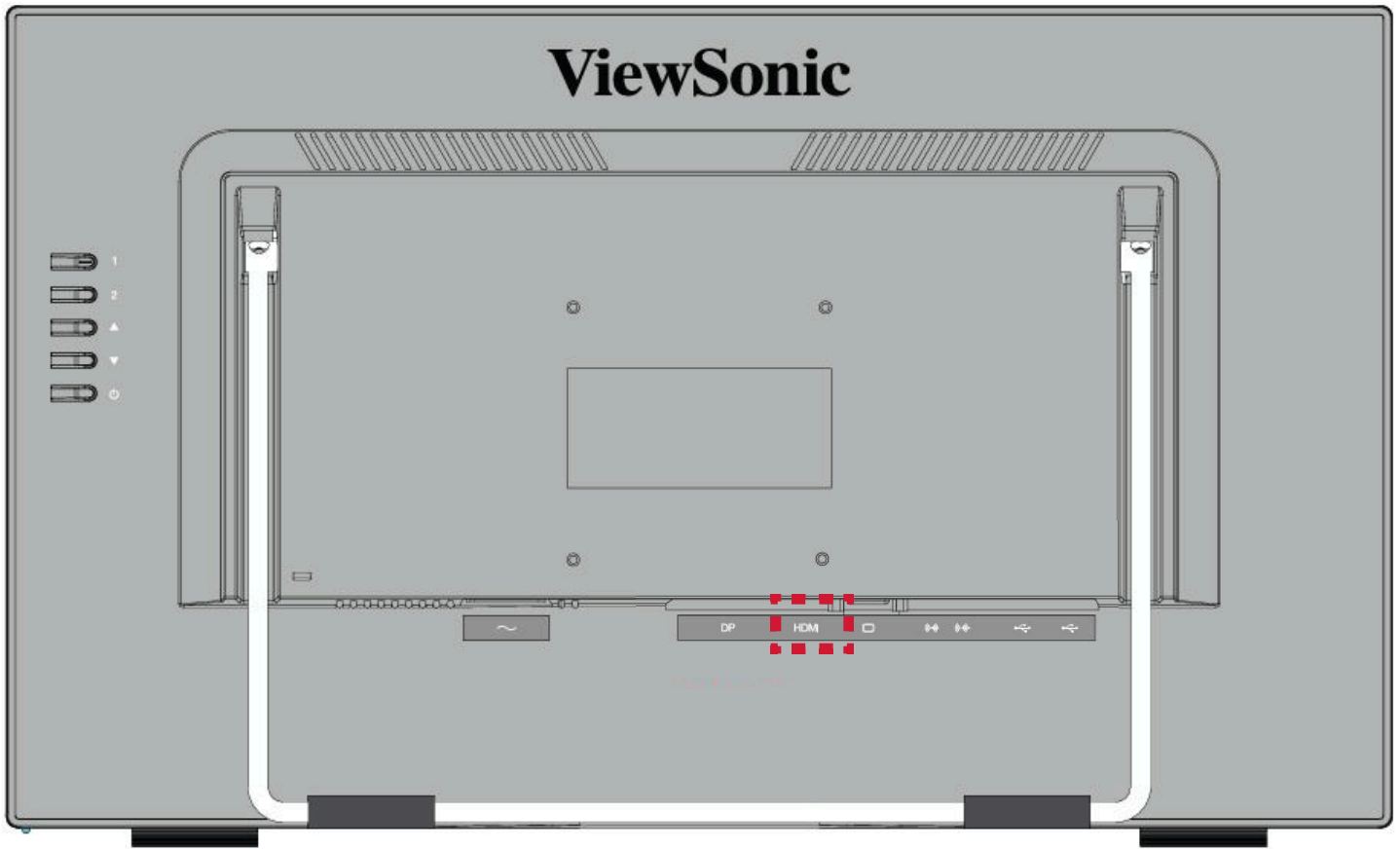
1. Connect the power cord to the AC IN jack at the rear of the device.
2. Connect the power cord plug to the Outlet Extender.



ViewSonic Monitor Installation

Connecting the HDMI cable (Bottom section of the monitor)

Connect one end of an HDMI cable to the HDMI port of your monitor. Then connect the other end of the cable any of the HDMI ports of the Mini PC.



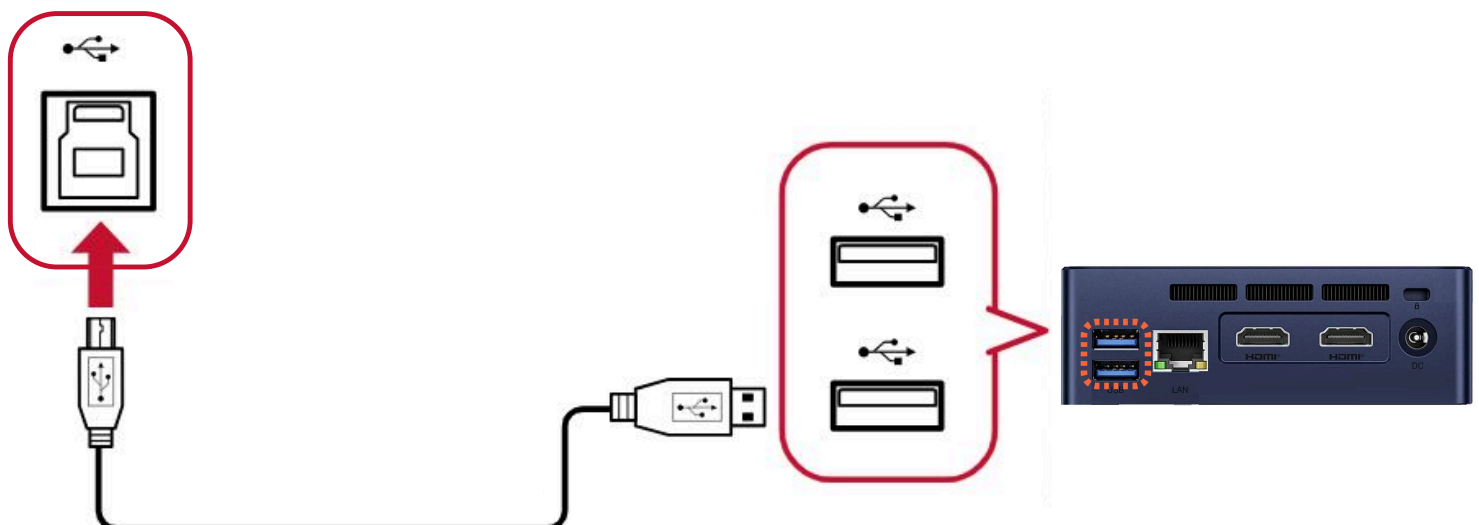
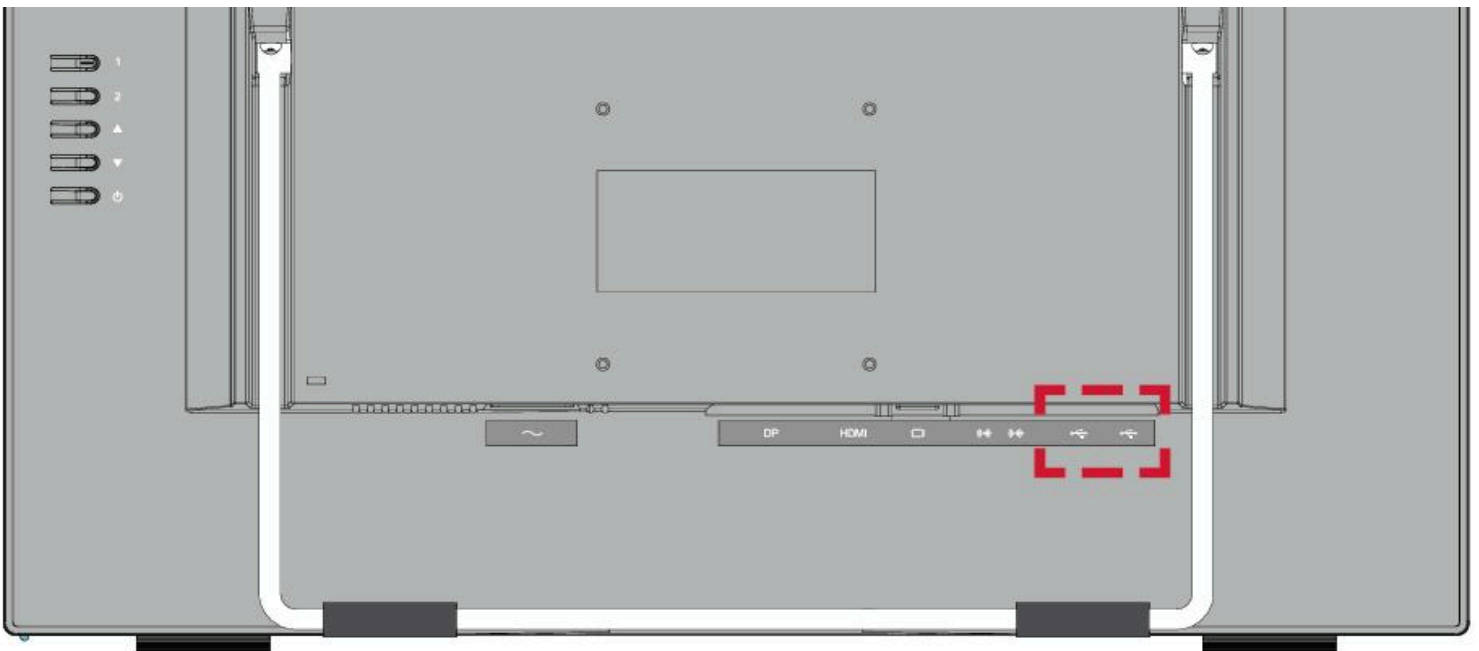
ViewSonic Monitor Installation

Connecting the USB-B cable (Bottom section of the monitor)

Connect one end of the cable to the designated USB-B port of the ViewSonic monitor (squared end with beveled top). Then connect the other end of the cable to any of the USB ports of your Mini PC.

Important:

The USB-B cable is required to enable the Touch capabilities of the monitor. If the monitor does not respond to your touch after the installation has been completed, please verify that the USB cable is plugged on both ends.



Mini PC Installation

Mini PC Placement

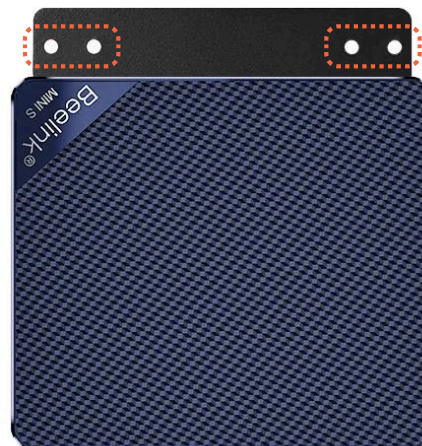
Select a suitable location below the ViewSonic Monitor for easy access to the power button.



Mounting on the wall

It is strongly recommended that Mini PC is installed with the bracket facing up (as illustrated below) to reduce stress on the case of the unit.

1. Mount the Mini PC on the wall using the attached mounting bracket.
2. Plug the power adapter to the rear of the Mini PC and then to the Anker Outlet Extender.



USB Speaker Installation

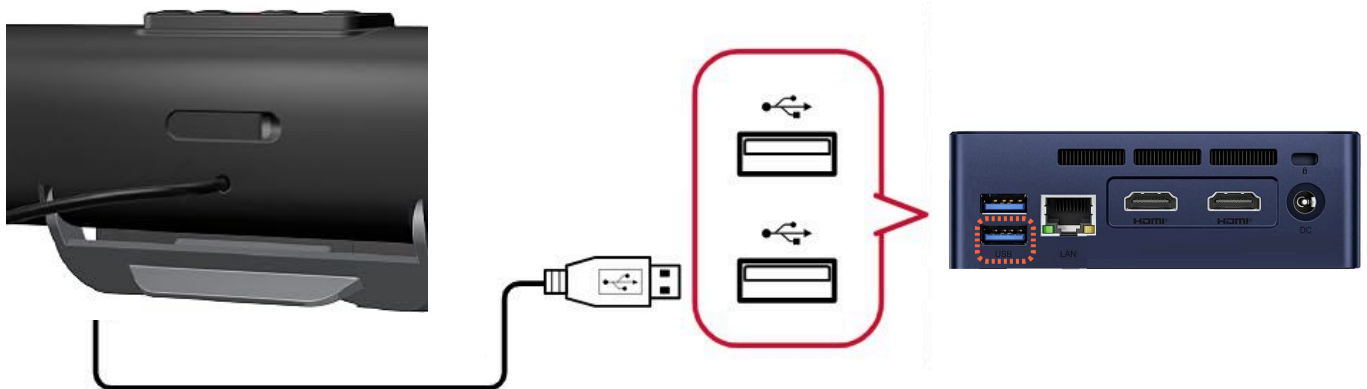
Speaker Placement

Mount and attach the USB Speaker on top of the ViewSonic Monitor.



Connecting the USB cable to the Mini PC

Connect the speaker's USB cable to a USB port on the back of the Mini PC.



Hanging Basket (for storage of Ops Tablet & Accessories)

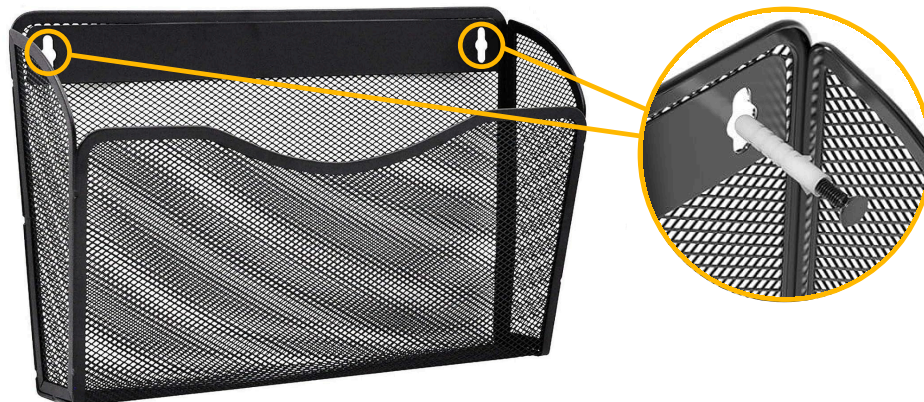
Basket Placement

Select a suitable location below or near the ViewSonic Monitor. This is where you can store (and charge) for your Ops Tablet device and it's peripherals like bluetooth temperature probes, stylus pens, etc.



Mounting the basket

Install the holder using the provided screws & anchors.



Using your DOP Dashboard for the first time

1. Turn on your Mini PC by pressing the power button. It should illuminate when the unit is on.



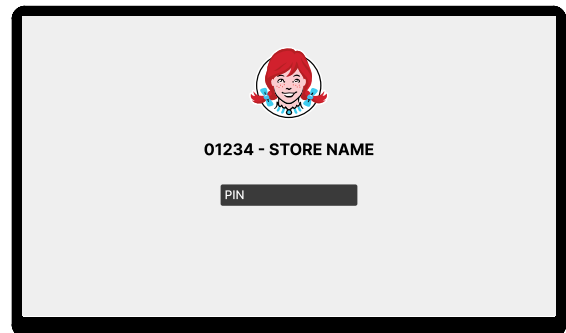
2. Turn on your ViewSonic monitor by pressing the power button on the back of the screen. The power indicator will illuminate.



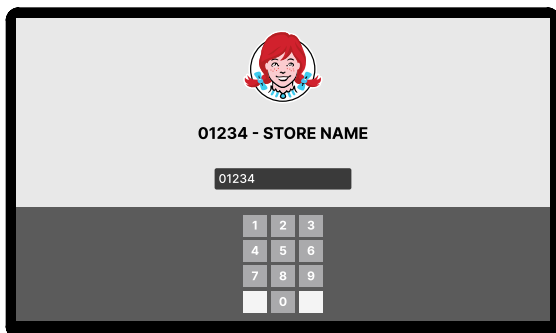
3. Once the Mini PC boots up, you will see the login screen. Swipe up from the bottom of the display.



4. Tap the PIN input field. A numeric pad will appear.

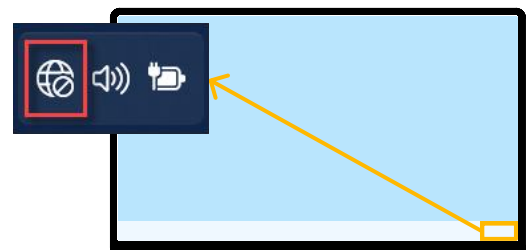


5. Enter your Store's 5-digit number, including any leading zeroes.



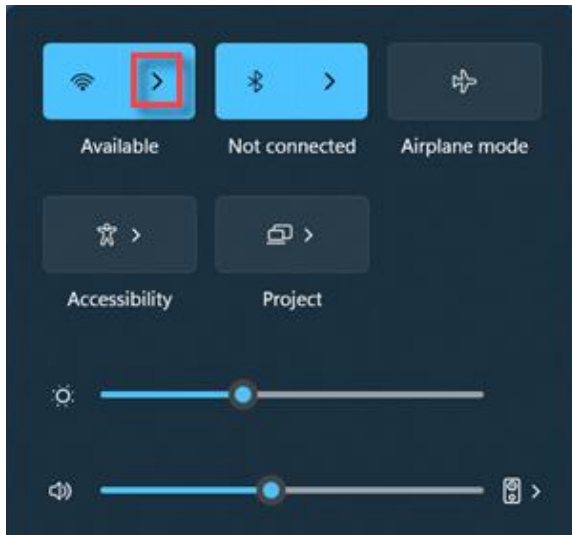
6. Once logged into Windows, connect to your network by selecting the Network, Sound, or Battery icons on the far right side of the taskbar to open quick settings.

The Disconnected icon appears if you're not connected.



Using your DOP Dashboard for the first time

7. On the Wi-Fi quick setting, select Manage Wi-Fi connections.

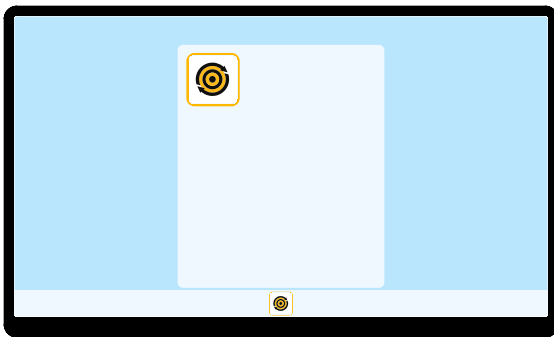


8. Choose the Wi-Fi network you want, then select Connect.

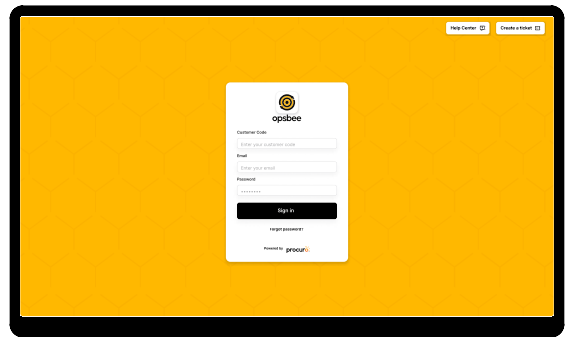
Type the network password, and then select Next.



9. Tap the opsbee icon in the start menu or taskbar.



10. Log in using the provided credentials.



11. You are now ready to start using your DOP Dashboard!

